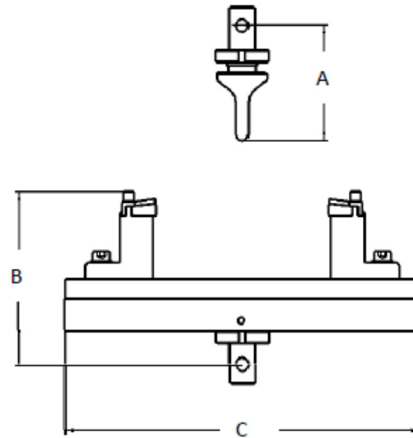
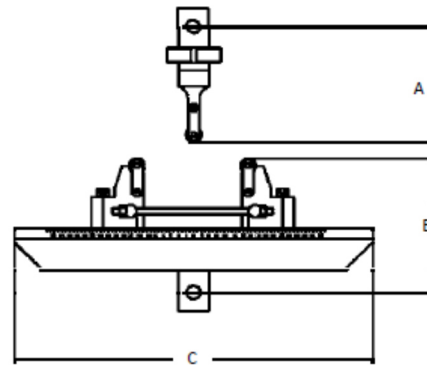


3-POINT BENDING FIXTURE – RA104A



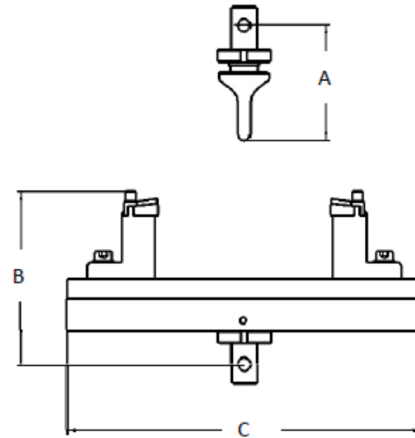
Application	3-point bending test of metallic and non-metallic materials	Maximum force	10KN
Connection		Height (A)	
Upper grip	Φ10mm pin	Upper grip	91mm
Lower Grip	Φ10mm pin	Lower grip	110mm
Total width (C)	280mm	Test space needed	201mm
Upper grip weight	0.4kg	Lower grip weight	1.6kg
Bending Nose	R2mm, R3mm, R5mm, R7mm exchangeable	Support Roller	R2mm, R5mm exchangeable
Specimen Width	40mm	Maximum Span	160mm adjustable

3-POINT BENDING FIXTURE – RA105A



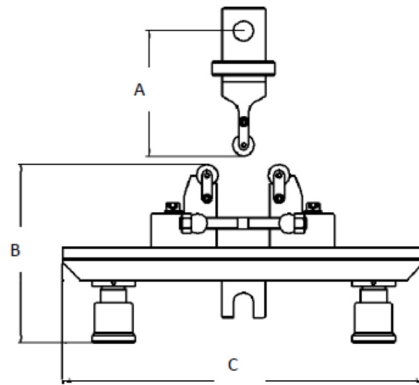
Application	3-point bending test of metallic and non-metallic materials	Maximum force	300KN
Connection		Height (A)	
Upper grip	Φ18mm pin	Upper grip	87mm
Lower Grip	Φ18mm pin	Lower grip	128mm
Total width (C)	340mm	Test space needed	215mm
Upper grip weight	2.2kg	Lower grip weight	10.3kg
Bending Nose	Φ20mm exchangeable	Support Roller	Φ20mm exchangeable
Specimen Width	80mm	Maximum Span	340mm adjustable

3-POINT BENDING FIXTURE – RA204A



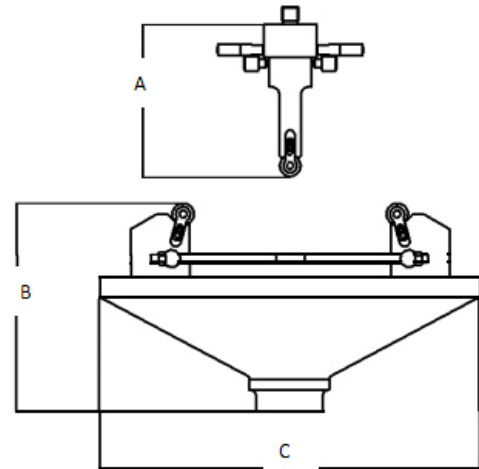
Application	3-point bending test of metallic and non-metallic materials	Maximum force	20KN
Connection		Height (A)	
Upper grip	Φ10mm pin	Upper grip	87mm
Lower Grip	Φ10mm pin	Lower grip	128mm
Total width (C)	340mm	Test space needed	215mm
Upper grip weight	0.4kg	Lower grip weight	7kg
Bending Nose	R2mm, R5mm, R10mm exchangeable	Support Roller	R2mm, R5mm exchangeable
Specimen Width	45mm	Maximum Span	200mm adjustable

3-POINT BENDING FIXTURE – RA305A



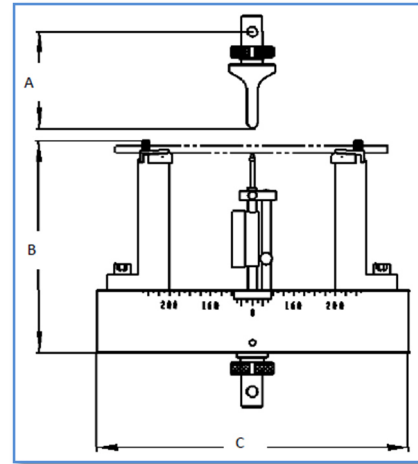
Application	3-point bending test of metallic and non-metallic materials	Maximum force	300KN
Connection		Height (A)	
Upper grip	Φ18mm pin	Upper grip	173mm
Lower Grip	Φ18mm pin	Lower grip	214mm
Total width (C)	500mm	Test space needed	387mm
Upper grip weight	2.47kg	Lower grip weight	22.3kg
Bending Nose	30mm exchangeable	Support Roller	30mm exchangeable
Specimen Width	90mm	Maximum Span	340mm adjustable

3-POINT BENDING FIXTURE – RA605A



Application	3-point bending test of metallic and non-metallic materials	Maximum force	600KN
Connection		Height (A)	
Upper grip	Screw connection	Upper grip	208mm
Lower Grip	Screw connection, fixed	Lower grip	286mm
Total width (C)	520mm	Test space needed	494mm
Upper grip weight	3.4kg	Lower grip weight	26.5kg
Bending Nose	Φ 15mm exchangeable	Support Roller	Φ 15mm exchangeable
Specimen Width	120mm	Maximum Span	370mm adjustable

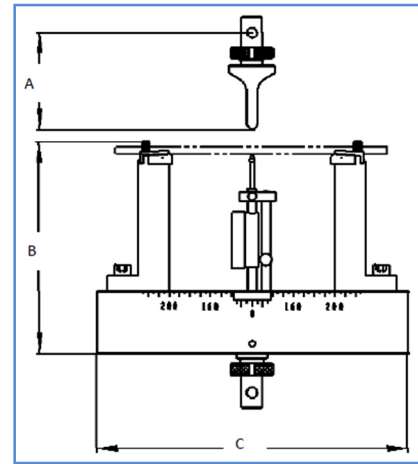
3-POINT BENDING FIXTURE – RWA104A



Application	3-point bending test of metallic and non-metallic materials	Maximum force	10KN
Connection		Height (A)	
Upper grip	Φ10mm pin	Upper grip	95mm
Lower Grip	Φ10mm pin	Lower grip	210mm
Total width (C)	300mm	Test space needed	310mm
Upper grip weight	0.4kg	Lower grip weight	3.5kg
Bending Nose	R5mm	Support Roller	R2mm, R5mm exchangeable
Specimen Width	45mm	Maximum Span	160mm adjustable

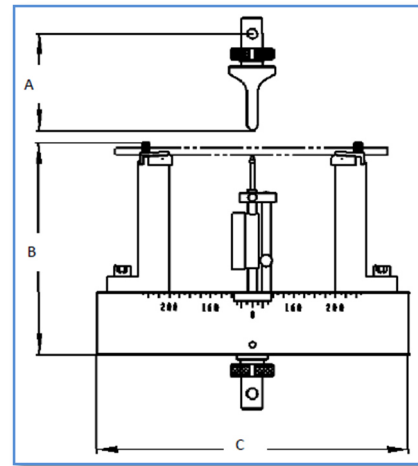


3-POINT BENDING FIXTURE – RWA204A



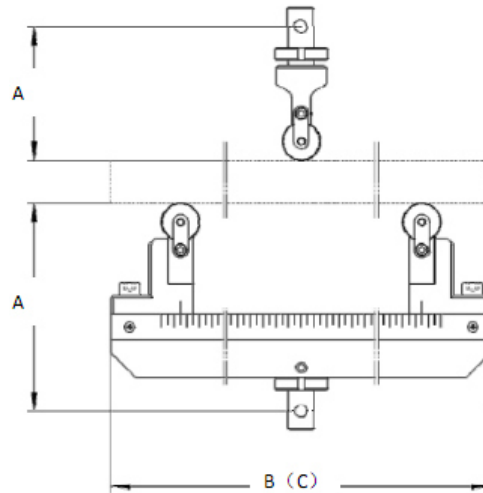
Application	3-point bending test of metallic and non-metallic materials	Maximum force	20KN
Connection		Height (A)	
Upper grip	Φ10mm pin	Upper grip	95mm
Lower Grip	Φ10mm pin	Lower grip	200mm
Total width (C)	340mm	Test space needed	300mm
Upper grip weight	0.4kg	Lower grip weight	4kg
Bending Nose	R5mm	Support Roller	R2mm, R5mm exchangeable
Specimen Width	45mm	Maximum Span	220mm adjustable

3-POINT BENDING FIXTURE – RWA204A (With Deflectometer)



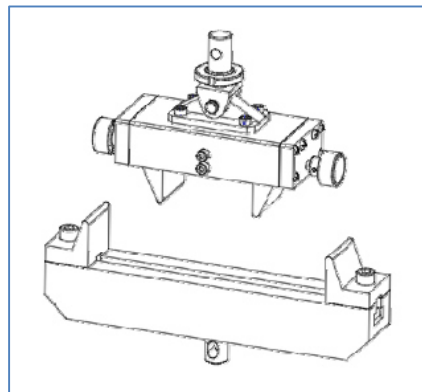
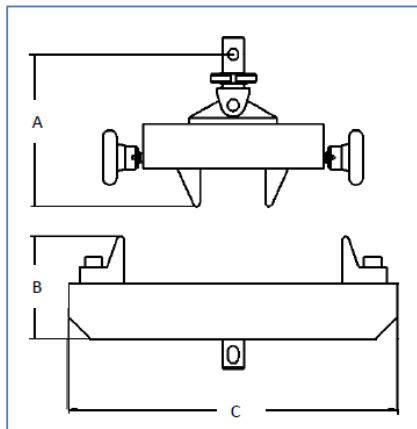
Application	3-point bending test of metallic and non-metallic materials	Maximum force	20KN
Connection		Height (A)	
Upper grip	Φ10mm pin	Upper grip	95mm
Lower Grip	Φ10mm pin	Lower grip	200mm
Total width (C)	340mm	Test space needed	300mm
Upper grip weight	0.4kg	Lower grip weight	4kg
Bending Nose	R5mm	Support Roller	R2mm, R5mm exchangeable
Specimen Width	45mm	Maximum Span	220mm adjustable

3-POINT BENDING FIXTURE – RWC104A (For Wood)



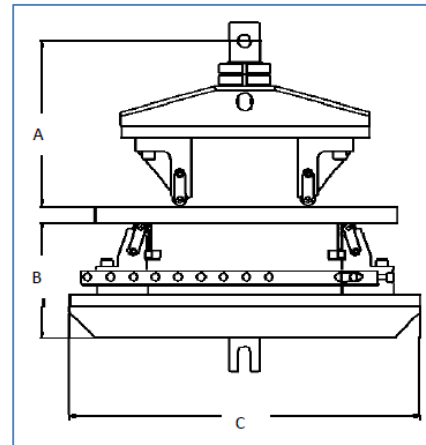
Application	3-point bending test of wood	Maximum force	10KN
Connection Upper grip Lower Grip	Φ10mm pin Φ10mm pin	Height (A) Upper grip Lower grip	88mm 88mm
Total width (C)	297mm(597mm)	Test space needed	218mm
Upper grip weight	0.7kg	Lower grip weight	5.6kg
Bending Nose	Φ15mm, Φ30mm exchangeable	Support Roller	Φ15mm, Φ30mm exchangeable
Specimen Width	Maximum 60mm	Maximum Span	200mm(400mm) adjustable

4-POINT BENDING FIXTURE – RWA104B



Application	4-point bending test of metallic and non-metallic materials	Maximum force	10KN
Connection Upper grip Lower Grip	Φ 10mm pin Φ 10mm pin	Height (A) Upper grip Lower grip	140mm 93mm
Total width (C)	300mm	Test space needed	233mm
Upper grip weight	3.5kg	Lower grip weight	10.5kg
Bending Nose	R3mm	Support Roller	R3mm, fixed and not exchangeable
Specimen Width	50mm	Lower Maximum Span	200mm, adjustable
Upper Maximum Span	110mm, adjustable		

4-POINT BENDING FIXTURE – RWB105B



Application	4-point bending test of metallic and non-metallic materials	Maximum force	100KN
Connection Upper grip Lower Grip	Φ 18mm pin Φ 18mm pin	Height (A) Upper grip Lower grip	220mm 154mm
Total width (C)	464mm	Test space needed	374mm
Upper grip weight	8.5kg	Lower grip weight	11.5kg
Bending Nose	R10mm exchangeable	Support Roller	R10mm exchangeable
Specimen Width	80mm	Lower Maximum Span	170mm, adjustable
Upper Maximum Span	320mm, adjustable		